

6

5

4

3

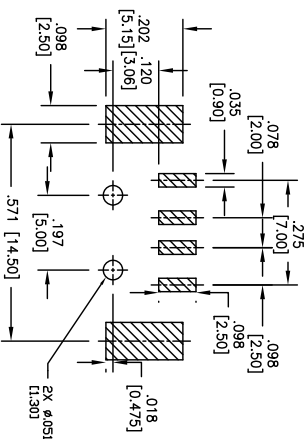
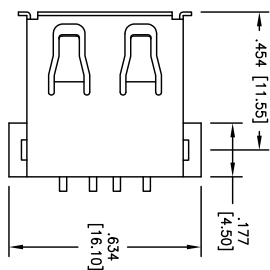
2

1

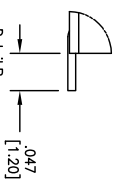
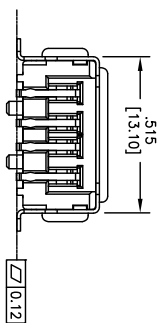
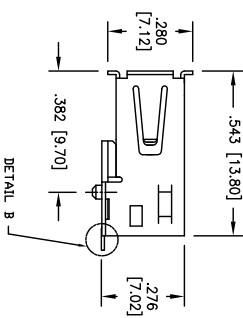
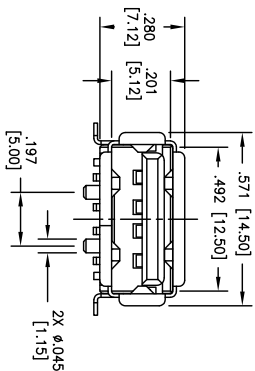
APPROVED: _____

DATE: _____ TITLE: _____

Rev	AWO #	Description	Date	Appr
-		RELEASED	4/03/08	
A		REDRAWN	10/21/10	



RECOMMENDED PCB LAYOUT



PACKAGED ON TAPE & REEL

SPECIFICATIONS:

Material:

Insulator: Hi-Temp Nylon PA6T, rated UL 94V-0

Insulator color: Black

Contacts: Brass

Shell: Copper Alloy, nickel/Tin plated

Contact Plating:

Gold flash over Nickel on mating area, Tin over Copper underplate on tails.

Electrical:

Operating voltage: 30 VAC max.

Current rating: 1 Amp max.

Contact resistance: 30 mohms max.

Insulation resistance: 1000 Mohms min. @ 500 VDC

Dielectric withstanding voltage: 500 VAC for 1 minute

Mechanical:

Insertion force: 35 Newtons max.

Withdrawal force: 10 Newtons min.

Temperature Rating:

Operating temperature: -20°C to +60°C

Environmental:

Lead free, RoHS compliant.

Recommended soldering temp: 260°C for 5 sec.

6

5

4

3

2

1



UNLESS OTHERWISE SPECIFIED
ALL DIMENSIONS ARE INCHES [MM]
TOLERANCES: EXCEPT AS NOTED

INCHES: X .10 ± .020
.XX ± .020
.XXX ± .015

HOLES: ØX ± .10
Ø:XX ± .015
Ø:XXX ± .010

APPROVALS: _____ DATE: _____

DRAWN: DY 4/03/08

CHECKED: _____

APPROVED: _____

ADAM TECH

909 Railway Avenue, Union, NJ 07083
Phone: 908-687-5000 Fax: 908-687-5710

TITLE: USB TYPE A, RIGHT ANGLE, TRUE SURFACE MOUNT

SIZE	PART NO.	REV.
X	USB-A-S-RA-TSMT-TR	A
REF:	S00009C	SHEET 1 OF 1
SCALE:	NTS	